

DEEP
KNOWLEDGE

SUBSEA & DEEPWATER INSTALLATION

The safer way to go deep

ODIM

▶▶ ODIM is an international technology group that develops automated handling solutions for the offshore, naval and power generation sectors. Within these markets, the group has a leading position in specialty segments such as Seismic, Subsea, Offshore Supply and Defense. ODIM is also a significant actor in the Deepwater Installation and Nuclear Power sectors.



▶▶ A subsea vessel equipped with ODIM solutions is launching an ROV with an ODIM LARS™ system.

higher efficiency in deepwater operations

▶▶ The search for tomorrow's oil and gas resources is now taking place in ever deeper waters. Meanwhile, **the number of subsea wells is increasing significantly**, driving the market for subsea operations. This requires operators to meet new challenges in deepwater installation and maintenance.

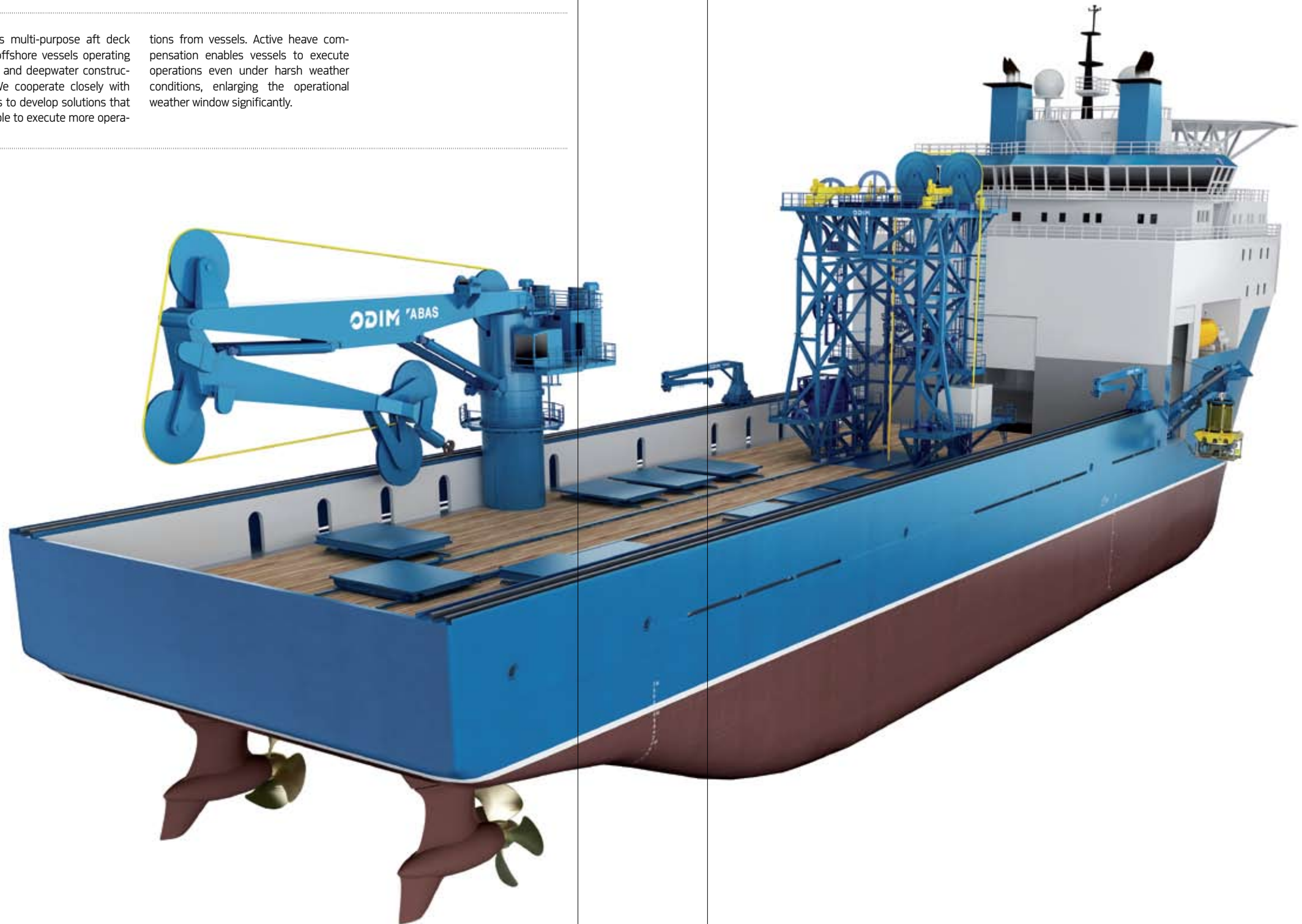
Since 1974, ODIM has been at the forefront of developing automated handling solutions for offshore vessels. We are a leading supplier of **complete aft deck solutions** for vessels, serving the subsea oil and gas sector.

ODIM has developed unique, automated handling systems that **reduce the cost, complexity and risk** of deepwater and near-shore operations.

Complete automated handling systems

►ODIM offers multi-purpose aft deck systems for offshore vessels operating in the subsea and deepwater construction sector. We cooperate closely with our customers to develop solutions that make it possible to execute more opera-

tions from vessels. Active heave compensation enables vessels to execute operations even under harsh weather conditions, enlarging the operational weather window significantly.



A ODIM LARS™ FOR ROV

- » Accurate Active Heave Compensation (AHC)
- » Side launch and moonpool launch
- » Gentle handling of third party equipment



B ODIM ABAS™ CRANES

- » Both fibre rope and steel wire
- » Range up to 250 tonnes
- » Accurate Active Heave Compensation (AHC)



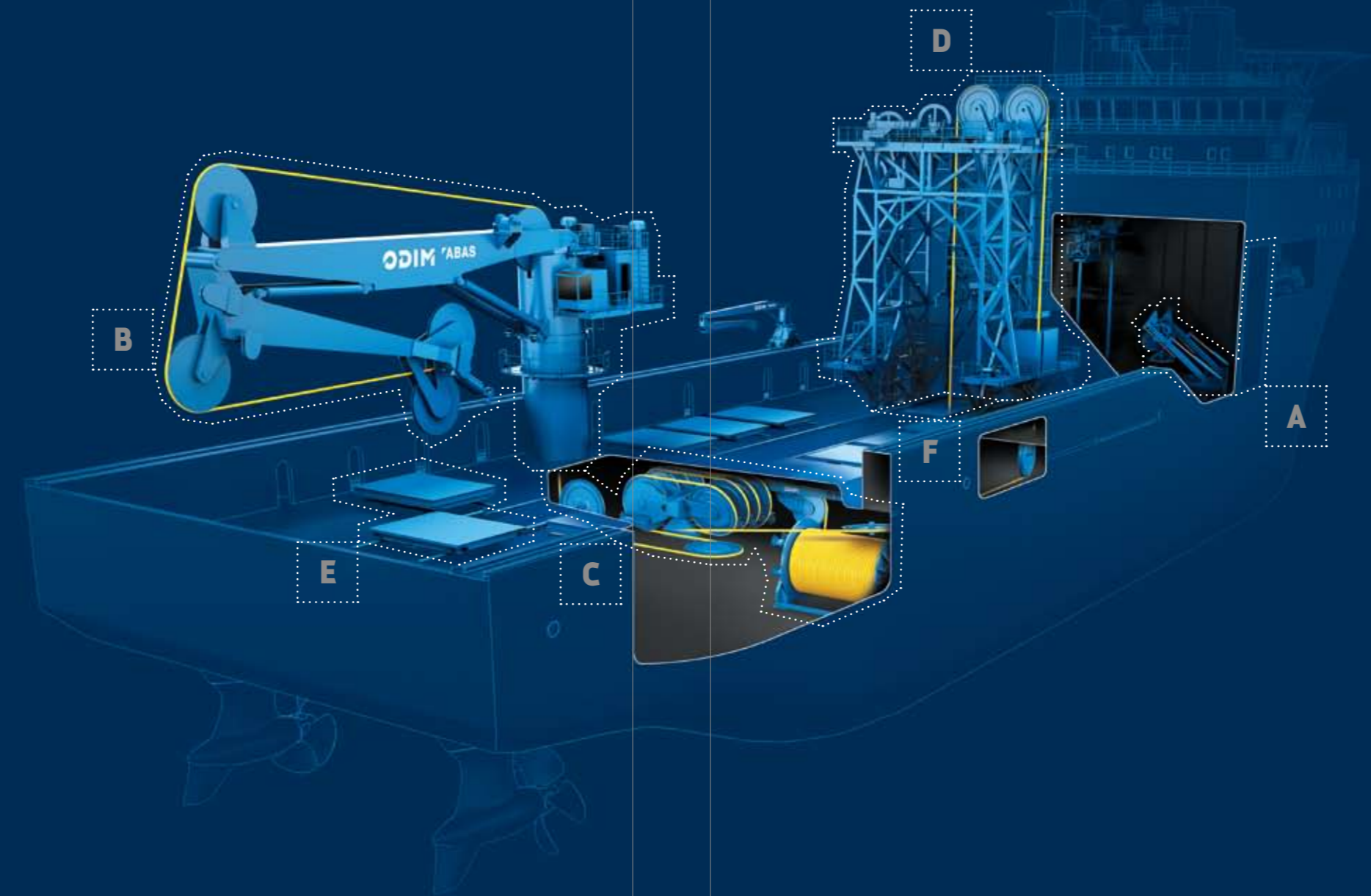
C ODIM CTCU™ Main installation winch

- » Gentle handling of fibre rope
- » No depth limitation
- » Rope condition monitoring



D HANDLING TOWER

- » Module Handling
- » Field proven fibre rope winch (ODIM CTCU™)
- » Drilling and WI solutions



E SKIDDING SYSTEM

- » Robust design
- » Low integration cost
- » Flexible solutions and proven technology

F BASE FRAME & HATCH SYSTEM

- » Proven design
- » Low integration cost
- » Integrated modular design



G AHC WINCHES

- » Accurate Active Heave Compensation (AHC)
- » Automated landing and lift-off
- » Hydraulic or AC driven

H ODIM CONTROL SYSTEM

- » Provides full oversight and control
- » Proven technology
- » Remotely operated, for safe and efficient operations



proven and safer systems from ODIM

#1 **Complete aft deck** handling systems for offshore vessels. Built on our unique experience and deep knowledge from subsea and deepwater operations.

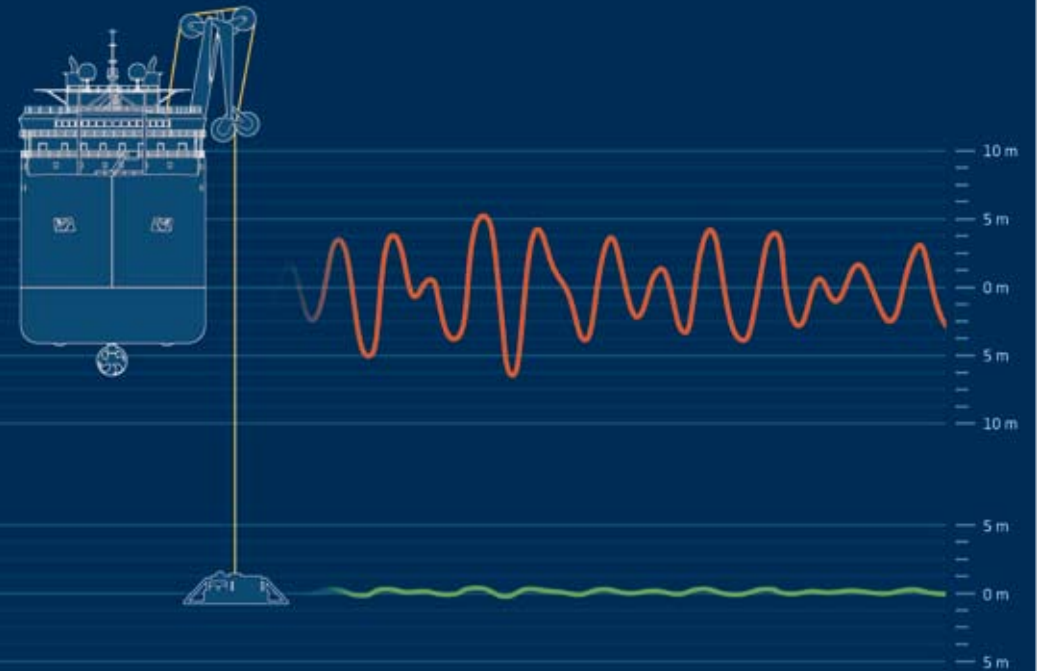
#2 **Our proven technology** and systems increase both efficiency and profitability for operators.

#3 **Safer for crew.** Our automated handling solutions reduce the crew's exposure to potentially dangerous forces on open decks.

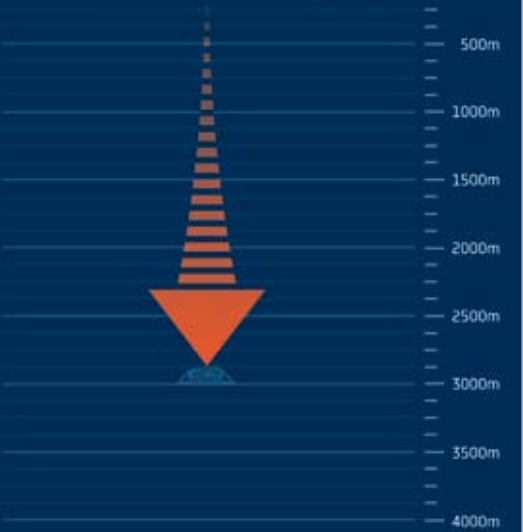
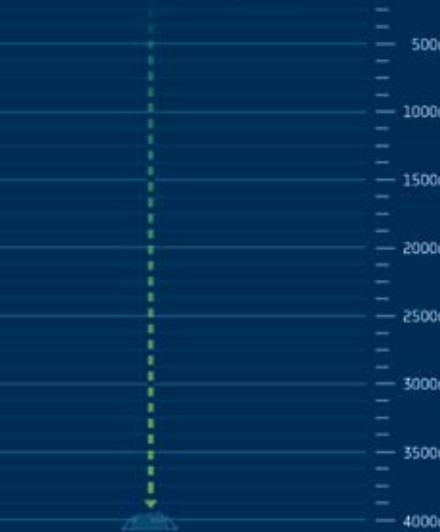
#4 **More energy efficient.** We use our deep knowledge to develop handling solutions that do more while using less energy.

Expand the operational weather window

» By compensating for vessel motion caused by waves, the ODIM AHC system boosts safety and expands the operational weather window.



ODIM CTCU™ allows operators to work at unlimited depths



A » The ODIM CTCU™, with fibre rope, can reach unlimited depths with virtually no increase in weight.

B » As depth increases, the weight of steel wire increases, while installation capacity decreases.



ODIM ASA
P.O. BOX 193
NO-6069 Hareid
Norway
Phone: +47 70 01 33 00
www.odim.com

